



Facebows  
Lab  
Miscellaneous



Global Experts in Orthodontics

03

**GC Orthodontics**  
GLOBAL EXPERTS IN ORTHODONTICS

## Miscellaneous Summary

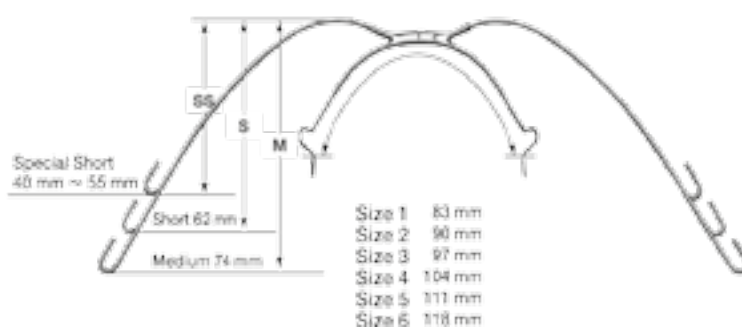
---

Facebows	157
Extra-oral tractions	158
Laboratoire	159
Système Optimax	159
Miscellaneous	160

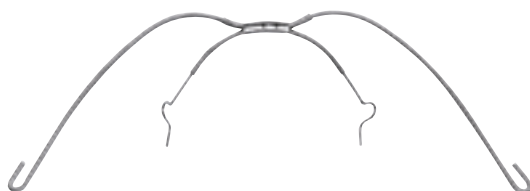


# Facebows

Our facebows, from Tomy, are available in a choice of three outer bow sizes and as many as eight .045 inner bow sizes. They are sold in individual packaging, with a pair of stops for each universal facebow.



Distance between both omegas

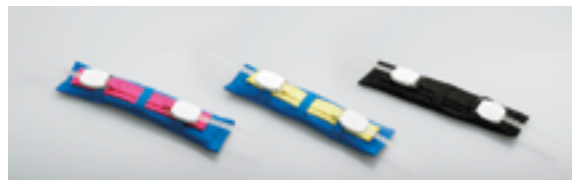


Outer bows	Special Short	Short	Medium
Universal	62-11UN-0000	62-21UN-0000	62-31UN-0000
Size 1	62-1110-0000	62-2110-0000	—
Size 2	62-1120-0000	62-2120-0000	—
Size 3	62-1130-0000	62-2130-0000	62-3130-0000
Size 3.5	—	62-2135-0000	—
Size 4	62-1140-0000	62-2140-0000	62-3140-0000
Size 4.5	—	62-2145-0000	—
Size 5	62-1150-0000	62-2150-0000	—
Size 6	—	62-2160-0000	—

Short, plastic coated
62-22UN-0000
—
—
62-2230-0000
—
62-2240-0000
—
62-2250-0000
—

## Extra-oral tractions

These traction devices are made from washable hypoallergenic materials. Comfortable, in vivid colors, they are easily accepted by young patients.



## Neck strap with safety release

Description	P/N
Blue/Pink 450g	55-4450-0029
Blue/Yellow 450g	55-4450-0028
Black 600g	55-4600-0027



## Head cap with safety release

Description	P/N
Head cap Jean 450g	55-5450-0030
Head cap color 600g	55-5600-0035
Head cap Jean 600g	55-5600-0030



## Face mask for Class III correction

Description	P/N
Standard face mask (Red)	55-4001-0025
Face mask for long face (White)	55-4002-0025
Skin protections (Replacement)	55-4003-0000



## Laboratoire

### Système Optimax

- \* Un système adapté à chaque patient
- \* Un système adapté à chaque praticien
- \* Un système adaptable à toutes les techniques



Description	Référence
Kit Optimax Fix Round insert	92-3004-0000
Kit Optimax Fix Square insert	92-3005-0000
Optimax Screw Driver	92-3011-0000
Optimax Gauge	92-3012-0000
Sterilisation Box	92-3013-0000
Stop Forward 1 mm (X 20)	92-3010-0000
Stop Forward 2 mm (X 20)	92-3020-0000



Description	Référence
Kit Lab N° 1	92-3001-0000
Kit Lab N° 2	92-3002-0000
Kit Lab N° 3	92-3003-0000
Stop Forward 1 mm (X 20)	92-3010-0000
Stop Forward 2 mm (X 20)	92-3020-0000



Description	Référence
Optimax Distaler	92-3000-0000

## Smile Rite thermoforming



Smile Rite thermoforming plastic sheets of any thickness are pre-dried and come in aluminum bags of 25 pieces. Water absorption by the material is eliminated and the bubble problem during thermoforming is solved.

Hard	Round 120mm	Round 125mm	Square 125mmX125mm
1,5mm (x 50)	—	92-1015-R125	92-1015-S125
1,0mm (x100)	92-1010-R120	92-1010-R125	92-1010-S125
0,80mm (x100)	—	92-1008-R125	—
Soft	Round 120mm	Round 125mm	Square 125mm X125mm
1,0mm (X100)	92-1110-R120	92-1110-R125	92-1110-S125

## Miscellaneous

### Band pushers



Description	P/N
Bite stick, autoclavable, orange	50-8020-0000
Bite stick, autoclavable, blue, lower tip	50-8022-0000
Bite stick, autoclavable (high temperature), blue	50-8023-0000



## Cheek retractors

Description	P/N
Automatic cheek retractor, full view	55-0240-0003



Description	P/N
Disposable cheek retractor, medium (X10)	55-0243-0002

## Protective wax



Description	P/N
Protective wax, winter green (x100)	55-0110-0031
Protective wax, neutral flavored (x 100)	55-0110-0033
Protective wax, Cinnamon (x 100)	55-0110-0032



## Protective silicon

Description	P/N
Protective silicon (x50)	55-0121-0000



## Mirrors

Description	P/N
Set of 4 Premium mirrors	55-0170-0000
Premium occlusal mirror	55-0171-0000



## Lip protection

Description	P/N
Lip protector (x10)	55-0130-0000





## Elastics placement

Description	P/N
Instruments for elastics, assorted colors (X 100)	55-0140-0021

## Elasti-bites



Description	P/N
Elasti-bites (X 25)	55-0150-0013

## Chewing Aligner



Description	P/N
Chewing Aligner (X 20)	55-0160-0000

